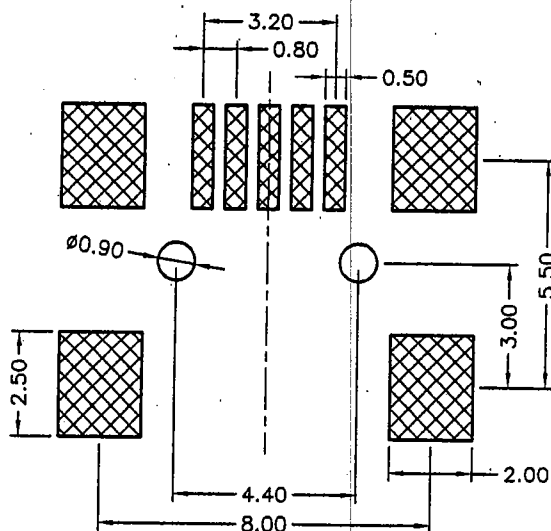
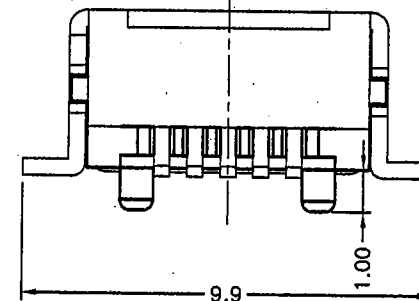
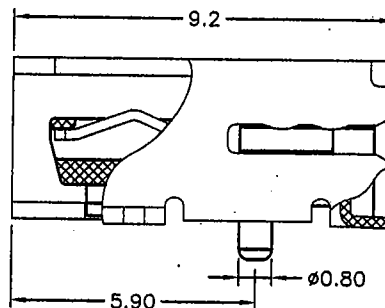
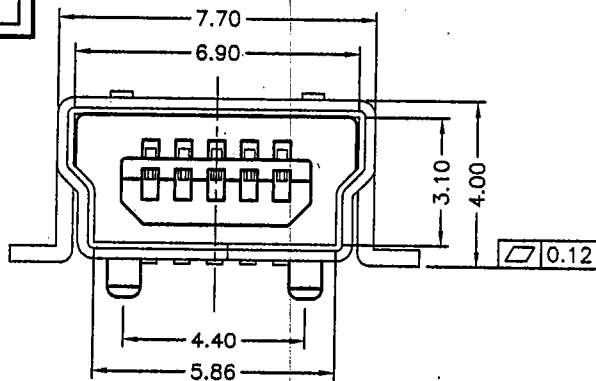


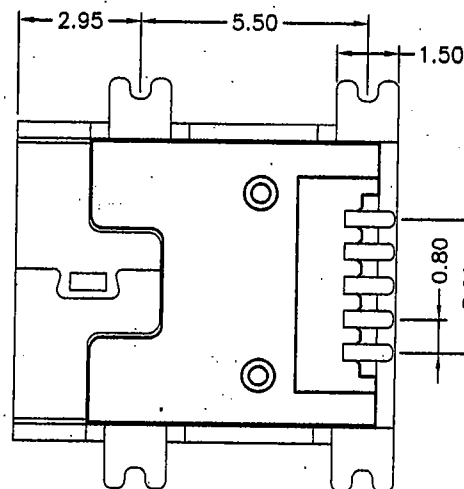


RoHS  
Compliant  
2002/95/EC  
Process  
Capable

REV.	ECN. NO.	APPD.
A	ECN060810-01	Emily



PCB LAYOUT



Specification:

1. Electrical Characteristics:

- Voltage Current rating: 1AMP.30VAC
- Insulation Resistance: 100MΩ min
- Contact Resistance: 50mΩ max

2. Environmental

- Operating Temperature: -50°C to 85°C

3. Material

- Housing: LCP; Color: Black
- Terminal: Phosphor bronze, T=0.25mm
- Shell: Brass, T=0.40mm

X. ±0.38	X.* ±4'	UNITS	mm		
.X ±0.25	.X' ±2'	MATL			
.XX ±0.20	.XX'	SEE NOTE		TITLE:	PART NO.:
.XXX ±0.10	.XXX'	FINISH		Mini-usb 5S B TYPE	P01BT0-05FLBXXX2X0
THESE DRAWINGS AND SPECIFICATIONS ARE THE PROPERTY OF WEI DUAN ELECTRONIC ACCESSORY (S.Z) CO.,LTD AND SHALL NOT BE REPRODUCED, COPIED OR USED IN ANY MANNER WITHOUT THE PRIOR WRITTEN CONSENT OF WEI DUAN ELECTRONIC ACCESSORY(S.Z)CO.,LTD			SEE NOTE	DR:	DWG NO.:
			Q'TY	Emily 2006/06/10	P01BT0-05F
			CHKD:	Sandy 2006/06/10	SCALE SHEET REV. CUSTOMER DRAWING
			APPD:	1:1 1/1 A	