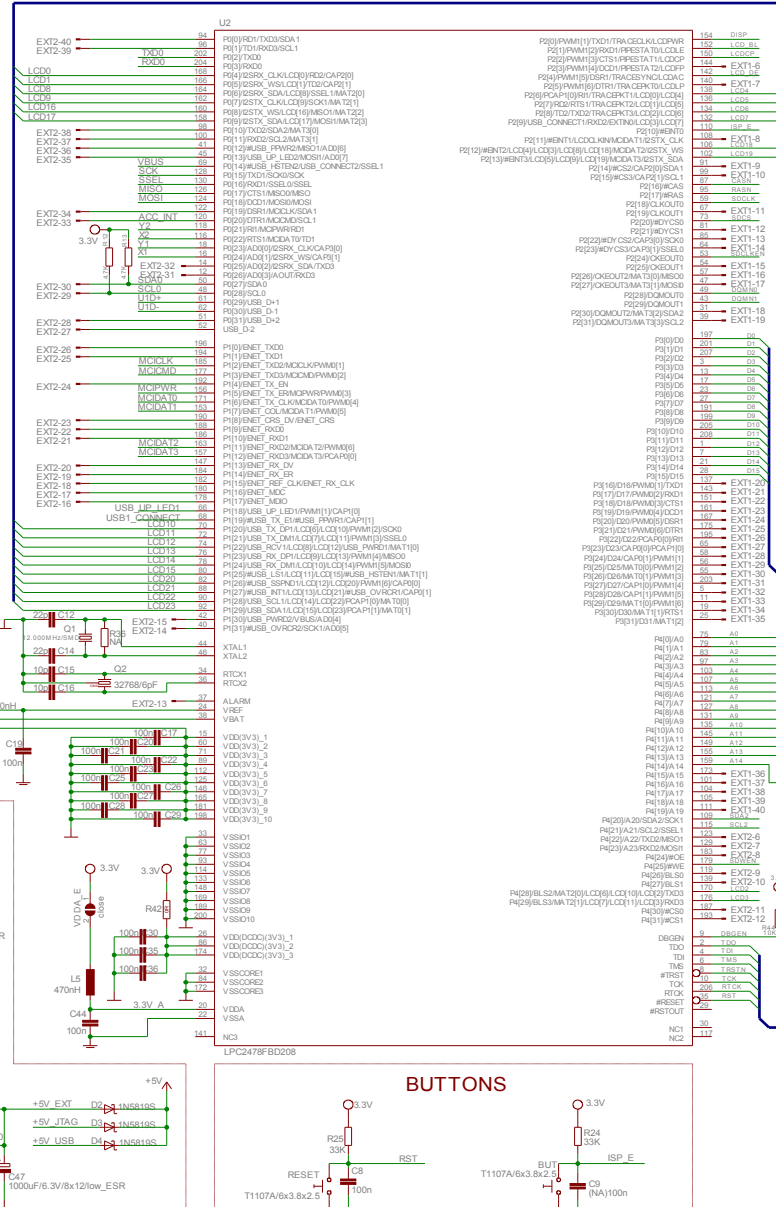
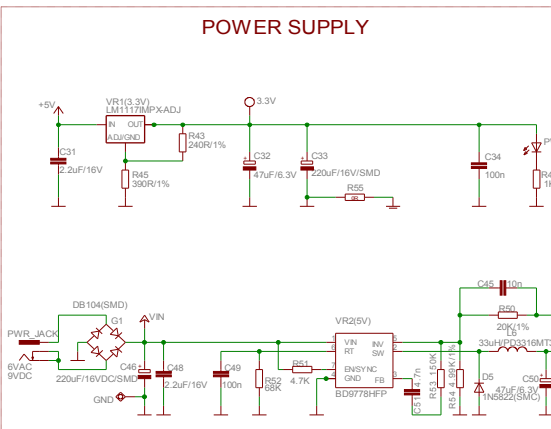
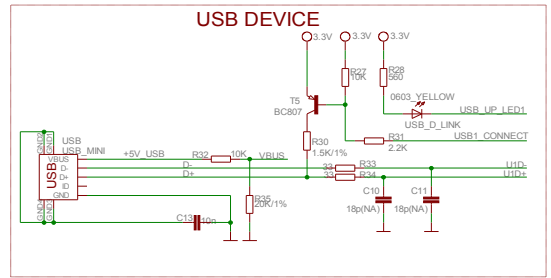
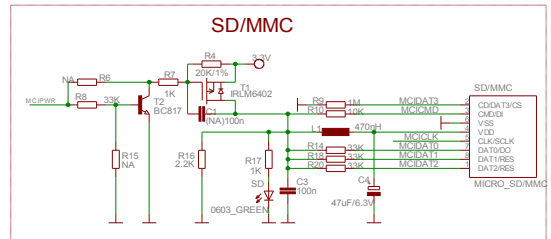
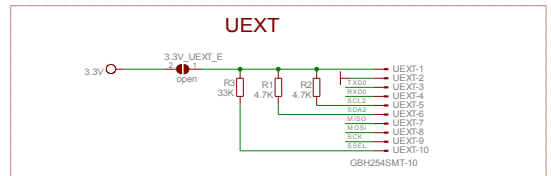
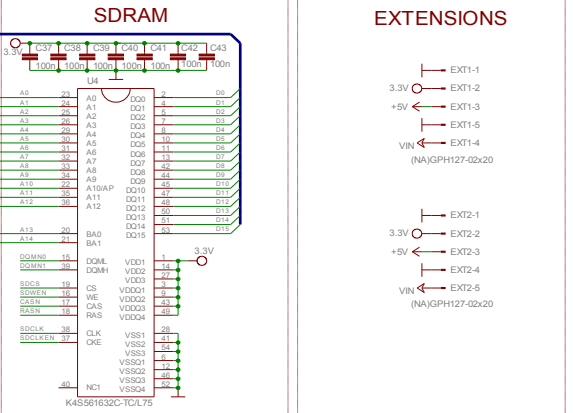
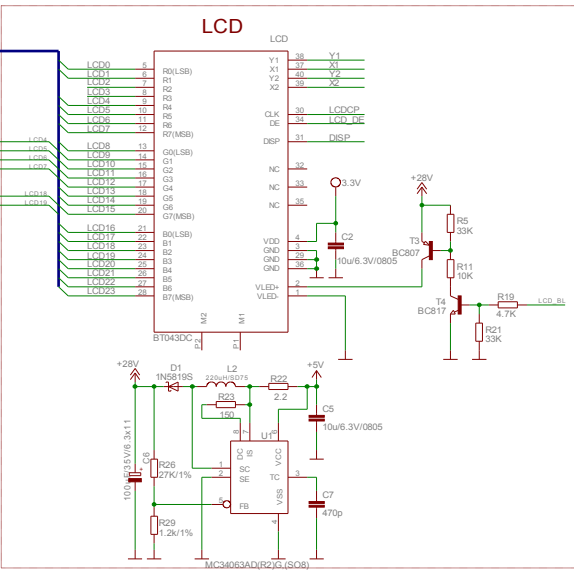


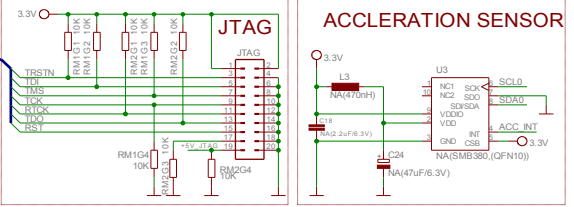
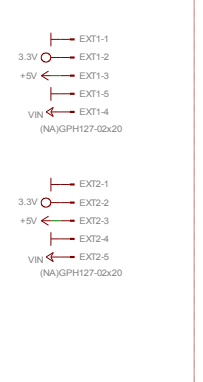
MOD-LCD4.3" Rev. A
 COPYRIGHT(C) 2011, OLIMEX Ltd.
 WWW.OLIMEX.COM/DEV



BUTTONS



EXTENSIONS



ACCELERATION SENSOR

